

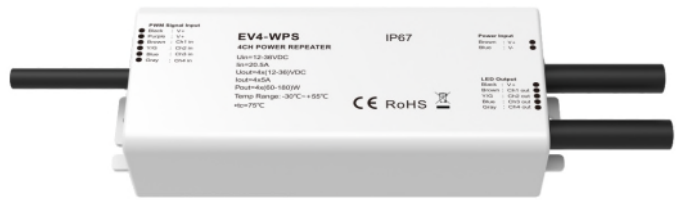
Waterproof 4 Channel Constant Voltage Power Repeater

Model No.: EV4-WPS

IP67 waterproof/4 Channel/PWM signal input/Constant voltage output/3KV optoelectronic isolation

Features

- Waterproof 12-36V constant voltage power repeater with IP67 rating, suitable for outdoor and damp environment.
- 4 channel, 5A per channel.
- To receive PWM signal control.
- Power repeater in series or in parallel to expand output unlimitedly.
- Apply to single color, dual color, RGB or RGBW constant voltage LED strip or module.

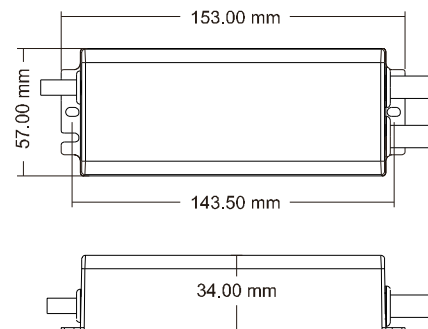
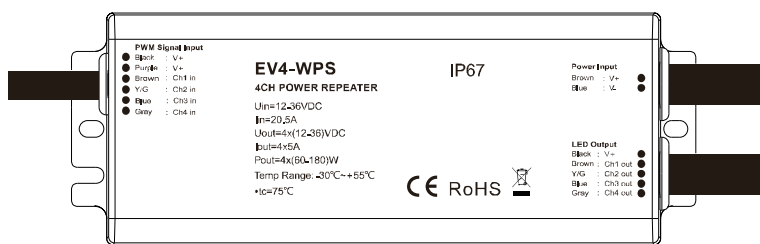


CE RoHS LVD

Technical Parameters

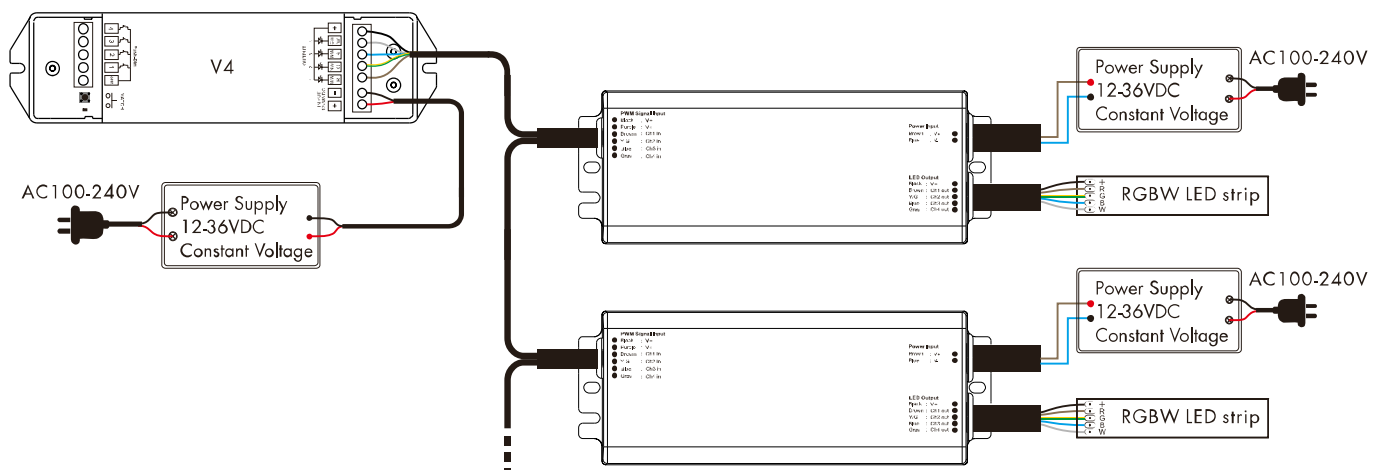
Input and Output		Safety and EMC		Warranty and Protection	
Input voltage	12-36VDC	EMC standard (EMC)	ETSI EN 301 489-1 V2.2.3 ETSI EN 301 489-17 V3.2.4	Warranty	5 years
Input current	20.5A	Safety standard(LVD)	EN 62368-1:2020+A11:2020	Protection	Reverse Polarity Over-heat Over-load Short circuit
Input signal	PWM	Radio Equipment(RED)	ETSI EN 300 328 V2.2.2	Environment	
Output voltage	4 x (12-36)VDC	Certification	CE,EMC,LVD	Operation temperature	T _o : -30°C ~ +55°C
Output current	4CH,5A/CH	Package		Case temperature (Max.)	T _c : +75°C
Output power	4 x (60-180)W	Size	L165 x W98 x H72mm	IP rating	IP67
Output type	Constant voltage	Gross weight	0.492kg		

Mechanical Structures and Installations

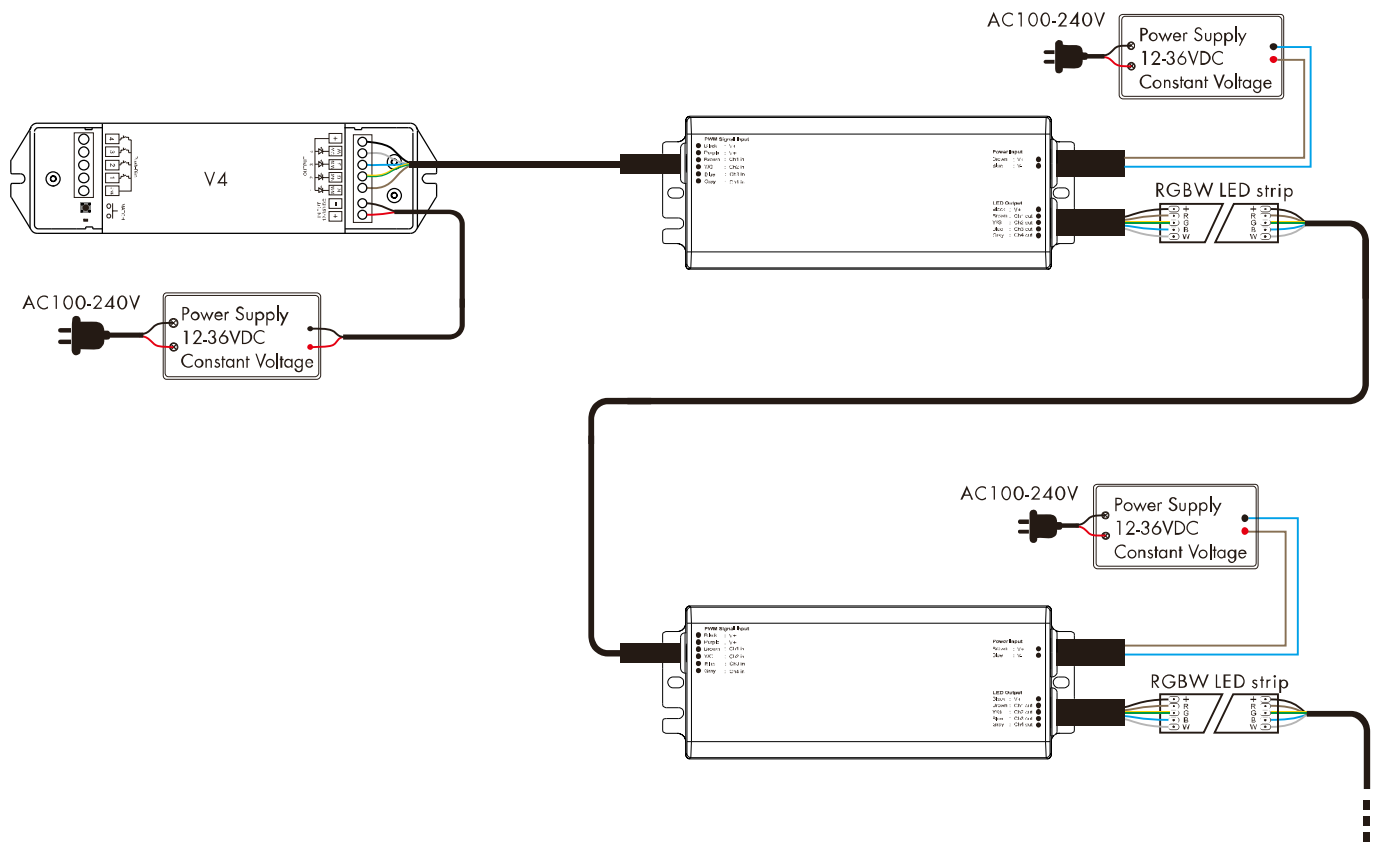


Wiring Diagram

- Parallel connection



● Series connection



Malfunctions analysis & troubleshooting

Malfunctions	Causes	Troubleshooting
No light	<ol style="list-style-type: none"> 1. No power. 2. Wrong connection or insecure. 	<ol style="list-style-type: none"> 1. Check the power. 2. Check the connection.
Wrong color	<ol style="list-style-type: none"> 1. Wrong connection of R/G/B/W wires. 	<ol style="list-style-type: none"> 1. Reconnect R/G/B/W wires.
Uneven intensity between front and rear, with voltage drop	<ol style="list-style-type: none"> 1. Output cable is too long. 2. Wire diameter is too small. 3. Overload beyond power supply capability. 4. Overload beyond controller capability. 	<ol style="list-style-type: none"> 1. Reduce cable or loop supply. 2. Change wider wire. 3. Replace higher power supply. 4. Add power repeater.

Safety & Warnings

1. The product shall be installed and serviced by a qualified person.
2. Good heat dissipation will prolong the working life of the controller, Please ensure good ventilation.
3. Please check if the output voltage of any power supplies used comply with the working voltage of the product.
4. Ensure all wire connections and polarities are correct and secure before applying power to avoid any damages to the LED lights.
5. If a fault occurs please return the product to your supplier. Do not attempt to fix this product by yourself.