

RGB LED Dimmer

- 3 channel constant voltage RGB LED RF dimmer with 3-button.
- Switch and dimming color by 3 buttons.
- Match with RF 2.4G single zone or multiple zone RGB remote control optional.
- One RF controller accept up to 10 remote control.
- 4096 levels 0-100% dimming smoothly without any flash.
- Built in 10 dynamic mode, include jump or gradual change style.
- PWM frequency 500Hz, 2KHz, 8KHz or 16KHz selectable.
- Over-heat / Overload / Short circuit protection, recover automatically.



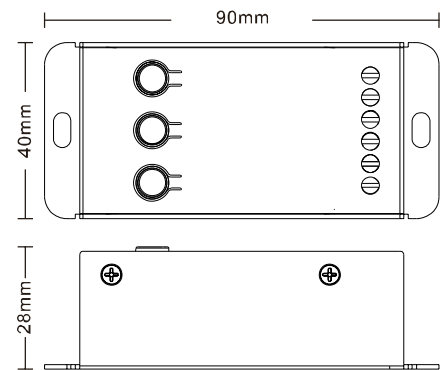
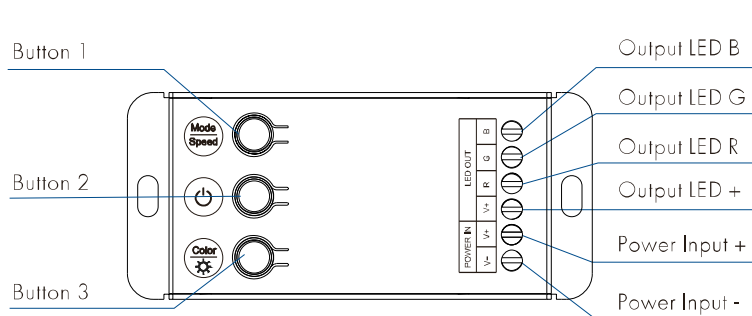
CE RoHS RED

3-button / RF dimming / Four PWM frequency / Multiple protection

Technical Parameters

Input and Output		Dimming data		Safety and EMC	
Input voltage	12-24VDC	Input signal	3-button + RF 2.4GHz	EMC standard (EMC)	ETSI EN 301 489-1 V2.2.3 ETSI EN 301 489-17 V3.2.4
Input current	18.5A	Control distance	30m(Barrier-free space)	Safety standard	EN 62368-1:2020+A11:2020
Output voltage	3 x (12-24)VDC	Dimming gray scale	4096 (2 ¹²) levels	Radio Equipment(RED)	ETSI EN 300 328 V2.2.2
Output current	3x6A@500Hz/2KHz 3x5A@8KHz/16KHz	Dimming range	0-100%	Certification	CE, EMC, RED
Output power	216-432W@500Hz/2KHz 180-360W@8KHz/16KHz	Dimming curve	Logarithmic	Package	
Environment		PWM frequency	500Hz/2KHz/8KHz/16KHz	Size	1100 x W46 x H38mm
Operation temperature	Ta: -30°C ~ +55°C	Warranty and Protection		Gross weight	0.081kg
Case temperature (Max.)	Tc: +85°C	Warranty	5 years		
		Protection	Reverse polarity Over-heat Overload Short circuit		

Mechanical Structures and Installations



Match Remote Control (two match ways)

End user can choose the suitable match/delete ways. Two options are offered for selection:

Use the controller's button

Match:
Long press button 1 and button 3 for 2s, the output LED blinks 2 times, immediately press on/off key (single zone remote) or zone key (multiple zone remote) of the remote. The output LED blinks 3 times means match is successful.

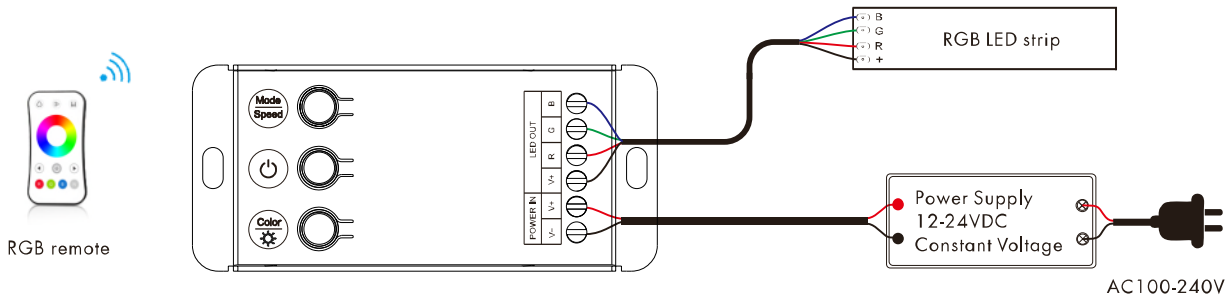
Delete:
Press and hold button 1 and button 3 for 5s to delete all match, The output LED blinks 5 times means all matched remotes were deleted.

Use Power Restart

Match:
Switch off the power, then switch on power again, repeat again, immediately short press on/off key (single zone remote) or zone key (multiple zone remote) 3 times on the remote. The output LED blinks 3 times means match is successful.

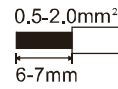
Delete:
Switch off the power, then switch on power again, repeat again, immediately short press on/off key (single zone remote) or zone key (multiple zone remote) 5 times on the remote. The output LED blinks 5 times means all matched remotes were deleted.

Wiring Diagram



Wire Preparation:

1. The wiring can be solid or stranded with a cross-sectional area of 0.5 to 2 mm². Conventional 1mm² can withstand 10A output current.
2. When wiring is installed, the terminals must be tightened. If they are not tightened, the contact point resistance will be too high and the terminals will easily burn due to heat when used at full load for a long time.

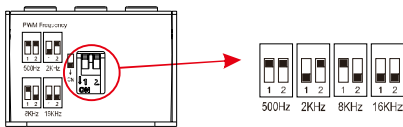


Note: The output power of a constant voltage power supply should be at least 1.2 times that of the output load (light strip), otherwise the full power output of the load can easily cause automatic flickering or shaking of the light.

Button function

- Mode Speed** Short press to change 10 dynamic mode, long press for 2s to adjust speed, 10 levels.
- Power** Turn on or off light.
- Color** Short press to change 24 static RGB color, long press for 1-6s to adjust 256 levels brightness continuously.

PWM frequency setting

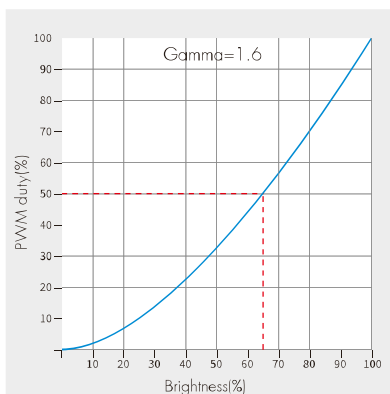


We can select four PWM frequency: 500Hz, 2KHz, 8KHz or 16KHz. Higher PWM frequency, will cause lower output current, higher power noise, but more suitable for camera (No flickers for video).

Dynamic mode list

No.	Name	No.	Name
1	RGB jump	6	RGB fade in and out
2	RGB smooth	7	Red fade in and out
3	6 color jump	8	Green fade in and out
4	6 color smooth	9	Blue fade in and out
5	Yellow cyan purple smooth	10	White fade in and out

Dimming Curve



Installation Precautions

1. The products shall not be stacked, the distance should be $\geq 20\text{cm}$, so as not to affect lifespan of the products due to poor heat dissipation.
2. The product shall not be installed close to the switching power supply with an interval of $\geq 20\text{cm}$ to avoid the radiation interference of the switching power supply.
3. The installation height shall be $\geq 1\text{m}$ from the floor to avoid shortening the remote control distance due to too weak reception signal.
4. The products are not allowed to be close to or covered by metal objects, with an interval of $\geq 20\text{cm}$ to avoid signal attenuation and shorten the remote control distance.
5. Avoid installation at the corner of the wall or the corner of the beam, with an interval of $\geq 20\text{cm}$ to avoid signal interference.