

XZ-CH15B SERIES

0-10 V dimming independent LED driver
Output current 200mA, 250mA, 300mA, 350mA
Current setting by dip switch
Max. output power 14,7W
Nominal lifetime up to 50,000 h
For luminaries of protection class II
5-year warranty



ELECTRICAL SPECIFICATIONS	
Rated input voltage range:	220 ... 240 Vac
Max input voltage range:	198 ... 264 Vac
Rated frequency range:	50 / 60 Hz
Max input current:	0,11 A @ 230 Vac
Total harmonic distortion (max.):	≤ 20 %, at rated input voltage range @ full load
Inrush current:	≤ 30 A at rated input voltage range @ full load
Output current tolerance:	± 5 % at rated input voltage range @ rated load
Turn on delay time:	≤ 0,5 s at full load @ rated input voltage
No load output voltage:	≤ 59 VDC
Ripple output current:	≤ 5%
Withstand voltage:	I/P-O/P: 3,75 kVac, < 5 mA 60 sec ; I/P-DIM: 3,75 kVac, < 5 mA 60 sec O/P-DIM: 1,6 kVac, < 5 mA 60 sec
Mains surge immunity:	L-N 0,5 kV
Connection terminal type:	90° push in terminal with release key
Wire cross section:	Primary side: 0,75 - 1,5 mm ² ; secondary side: 0,5 - 1,5 mm ² ; Dimmer wire: 0,5 - 1,5 mm ²
Wire stripping length:	8 - 9 mm
Protection rating:	IP 20
Protection:	Over voltage protection: Hiccup mode. Protection device will trigger when load voltage exceeds specified output voltage and will auto recover after the fault mode is removed.
	Short circuit protection: Hiccup mode. Protection device will trigger when short circuit and will auto recover after the fault mode is removed.

ELECTRICAL SPECIFICATIONS

Supplementary instruction:	<p>1. It is recommended that customers install under voltage protection and surge protection devices in the power supply circuit of lamps to ensure the safety of electricity consumption.</p> <p>2. The power supply is used in combination with the terminal equipment as a part of the whole lamp. Because the EMC performance is affected by LED lamps and wiring, the terminal is set in case the manufacturer needs to reconfirm the EMC of the whole device.</p>
----------------------------	---

ENVIRONMENTAL SPECIFICATIONS

Operating temperature:	-20 to 45° C
Storage temperature:	-40 to 80° C
Working humidity:	10 % to 90 %
Store humidity:	5 % to 90 %
Driver lifetime:	at tc = 65° C: 50.000 hrs.; at tc = 75° C: 30.000 hrs.; failure rate \leq 10 %
Maximum Tc temperature:	75° C

PRODUCT SPECIFICATIONS

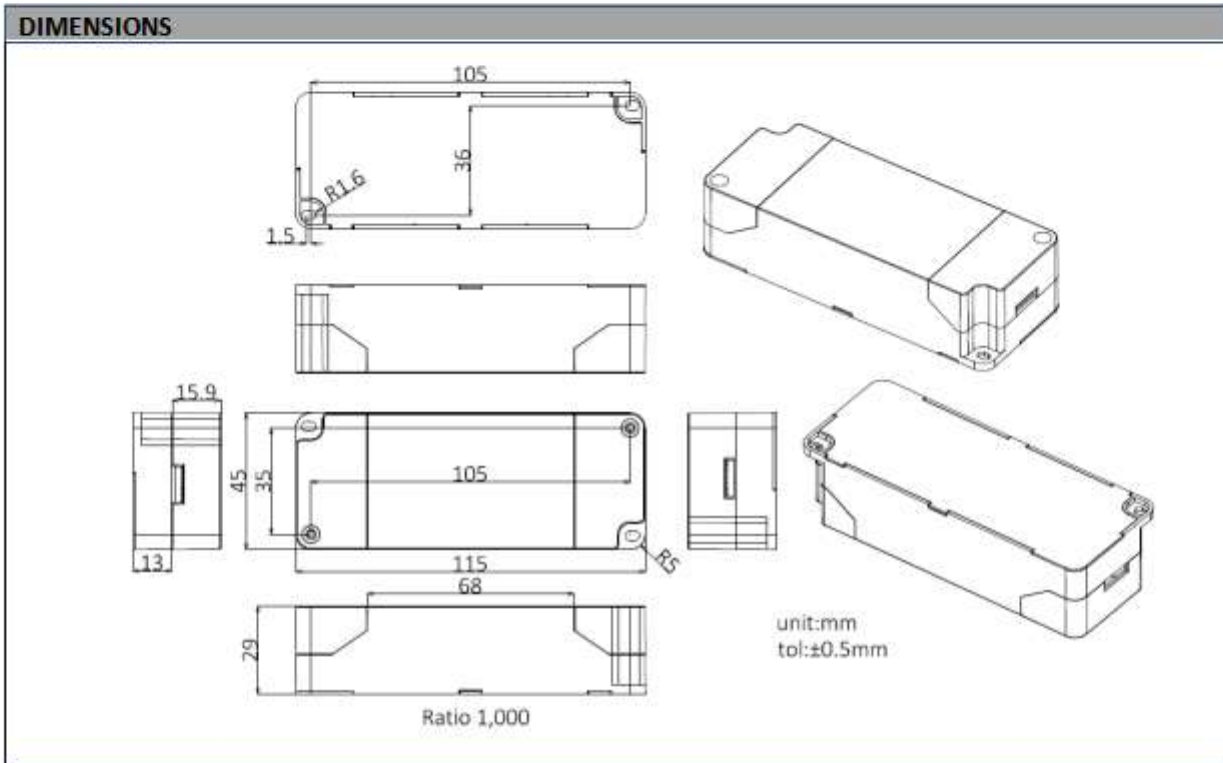
Model Number (Full Model)	Output Current	Input Voltage	Output Voltage	Efficiency @full load	Current Accuracy	Power Factor	Dimension L*W*H (mm)
XZ-CH15B-420035-D	200mA	220-240V	30-42V	80%	\pm 5%	\geq 0,9	L115*W45*H29
	250mA			82%			
	300mA			83%			
	350mA			83%			

SAFETY AND EMC COMPLIANCE


ENEC+ CE	EN61347-2-13:2014/A1:2017	CCC	GB17625.1-2012	SAA	AS/NZS IEC 61347.2.13.2018
	EN 61347-1:2015		GB/T17743-2017		AS/NZS 61347.1:2016
	EN 62384:2006/A1:2009		GB/19510.1-2009		
	EN 55015:2013/A1:2015		GB19510.14-2009		
	EN61000-3-2:2014				
	EN61000-3-3:2013				
	EN61547:2009				

PHYSICAL DIMENSIONS	
Length (L):	115 mm
Width (W):	45 mm
Height (H):	29 mm

PACKAGING	
0,109 kg / unit	48 pcs / carton
Carton size:	280 x 240 x 151 mm
Carton weight:	5,7 kg



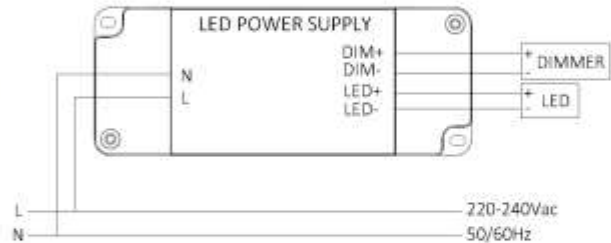
OPTIONAL ACCESSORIES



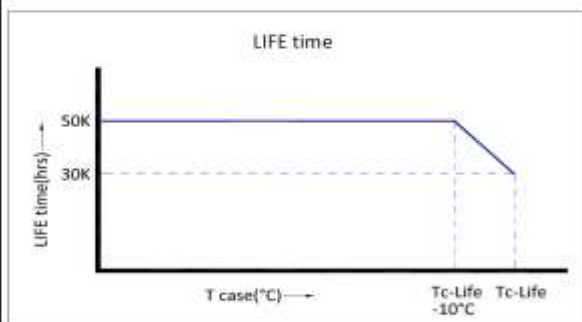
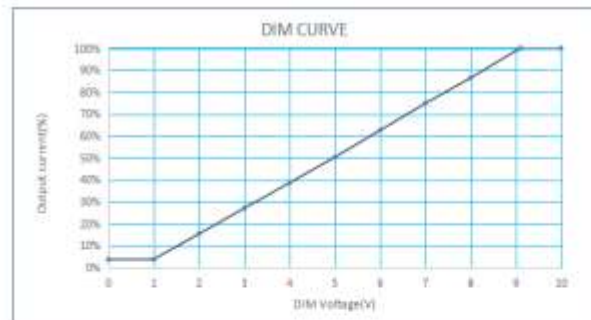
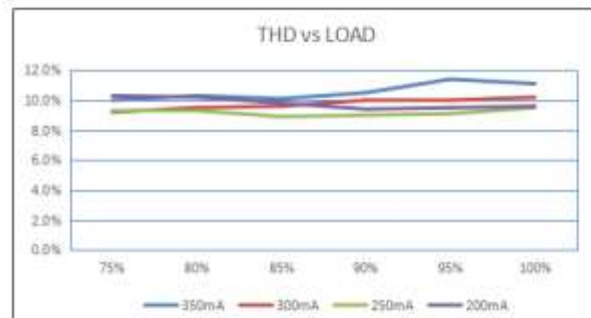
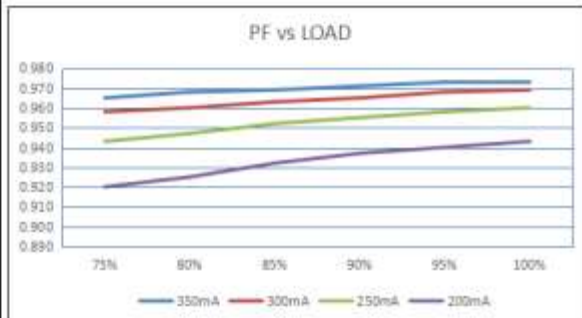
Dimensions(mm)	Length	Width	Height	Model no.	C.10.00510
Cord grip	45	23,33	15,9	/	/
Driver incl. cord grip	115	45	29	/	/

WIRING DIAGRAM

1. All connections must be as short as possible to ensure good EMI performance.
2. The lamp wire should keep a certain distance from the LED power supply and other wires (5-10 cm is preferred).
3. Incorrect wiring can damage LEDs.
4. The wire must be well protected against short circuit.



TECHNICAL INFORMATION



Hunan Xiezhen Electronics Co., Ltd.

Tel: +86-735-2653770
Fax: +86-735-2653771

Add: Block A&B Building 11 Innovation Park Linyi Road, BaiLutang Town Suxian District, Chenzhou, Hunan, China.

Web: www.cupower.com

all rights reserved