

RF to 4 Channel 0-10V LED Dimmer

Model No.: L4-M

AC or DC input/4 channel 0-10V signal output/Wireless remote control



FC CE RoHS EMC LVD RED

Features

- RF to 4 channel 0-10V converter, powered by AC or DC input.
- Output 4 channel 0-10V signal, connect with 0/1-10V dimmable driver.
- 256 levels 0-100% dimming smoothly without any flash.
- Match with RF 2.4G single color, dual color and RGB/RGBW remote control.
- One RF controller accept up to 10 remote control.
- Auto-transmitting function: Controller automatically transmit signal to another controller with 30m control distance.
- Synchronize on multiple number of controllers.

Technical Parameters

Input and Output	
Input voltage	100-240VAC 12VDC
Output signal	4 x 0-10 VDC
Output current	4CH, 10mA/CH

Safety and EMC	
EMC standard (EMC)	EN301 489, EN 62479
Safety standard(LVD)	EN60950
Radio Equipment(RED)	EN300 328
Certification	CE, EMC, LVD, RED

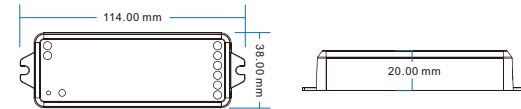
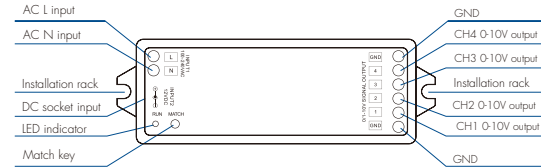
Warranty and Protection	
Warranty	5 years

Dimming data	
Input signal	RF 2.4GHz
Control distance	30m(Barrier-free space)
Dimming range	0-100%
Dimming curve	linear

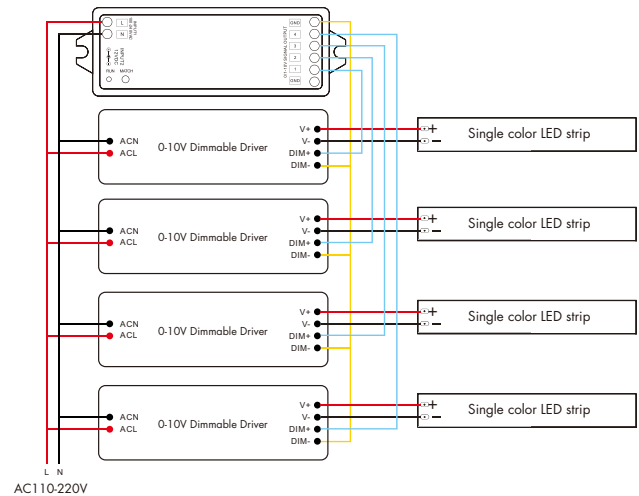
Environment	
Operation temperature	Ta: -30°C ~ +55°C
Case temperature (Max.)	Tc: +65°C
IP rating	IP20

Weight	
Net weight	0.560kg
Gross weight	0.068kg

Mechanical Structures and Installations



Wiring Diagram



Note:

1. User can connect AC100-240V power or DC12V power adapter as power input.
2. We recommend the number of LED drivers connected to each 0/1-10V output does not exceed 5 pieces. The maximum length of the wires from dimmer to LED driver should be no more than 1.5 meters.

Match Remote Control (two match ways)

End user can choose the suitable match/delete ways. Two options are offered for selection:

Use the controller's Match key

Match:

Short press match key, immediately press on/off key (single zone remote) or zone key (multiple zone remote) of the remote.

Delete:

Press and hold match key for 5s to delete all match, The light blinks 5 times means all matched remotes were deleted.

Use Power Restart

Match:

Switch off the power, then switch on power again, immediately short press on/off key (single zone remote) or zone key (multiple zone remote) 3 times on the remote. The light blinks 3 times means match is successful.

Delete:

Switch off the power, then switch on power again, immediately short press on/off key (single zone remote) or zone key (multiple zone remote) 5 times on the remote. The light blinks 5 times means all matched remotes were deleted.

Available remote controller



RS6
4 Channel Dimming



RT1
1 Zone Dimming



RT6
4 Zone Dimming

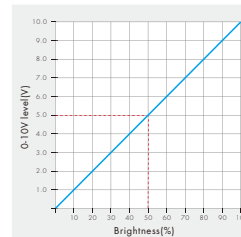
If you use one receiver, you have two choices:

- Option 1: Match with RS6 4 channel dimming remote, 4 channel 0-10V signal can be controlled independently.
- Option 2: Match with RT1 one zone dimming remote, 4 channel 0-10V signal can be controlled synchronously.

If you use multiple receivers, you have two choices:

- Option 2: Match with RT1 one zone dimming remote, multiple receivers can be controlled synchronously, and 4 channel 0-10V signal of each receiver are same.
- Option 2: Match with RT6 four zone dimming remote, each receiver(one or more) in a different zone.

Dimming curve



Note:

When the output channel is off, the output dimming signal is 0V. Please read the dimming section of the 0/1-10V dimming driver manual. If the dimming characteristic curve is the same as below, it will not be able to turn off the lights, you need select other models of 1-10V dimmer which have AC OUT function.

