



INSTALLATION INSTRUCTION

TRAILING EDGE DIMMER

D350S

Features

- No neutral required
- Soft start
- Suitable for 1-way or 2-way operation
- Overheating protection
- Smooth dimming compatible with most LED fittings

Technical specifications

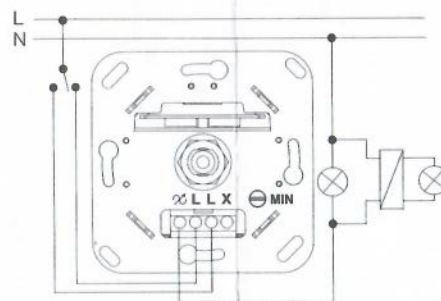
Dimming method:	Trailing edge
Supply voltage:	220-240V AC 50/60Hz
Load wattage:	10-350W(1.5A max)
Ta:	0...+40°C
Weight:	100g

Multi-gang De-rating

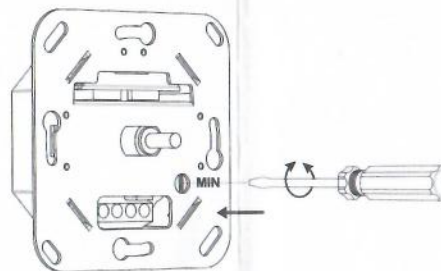
Number of Dimmers	Max. Load per Dimmer
1	350W
2	250W
3	200W

Installing the dimmer

Wiring the dimmer for the desired application.

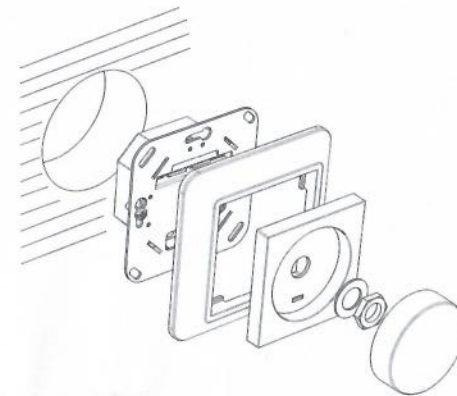


Setting the minimum brightness of the lamps.



- Switch the dimmer on.
- Dim the brightness right down using the rotary knob.
- Set the minimum brightness using the set-screw (MIN).

Installing the dimmer and covers.



Operating the dimmer

- You switch the connected lamps on and off by pressing the rotary knob.
- By turning the rotary knob, you dim the lamps brighter or darker.

Important Note!

Only skilled electricians may install this electrical equipment otherwise there is the risk of fire or electric shock.